

BARCELONA

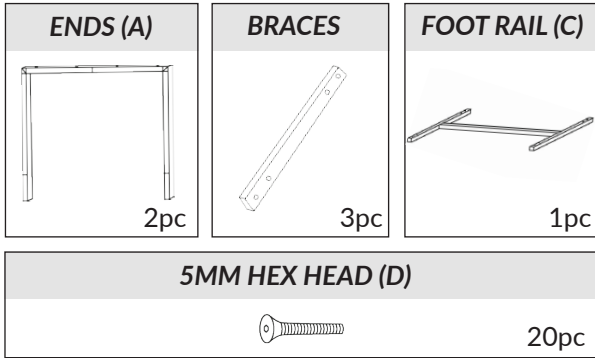
ez ASSEMBLY
INSTRUCTIONS

1200mm & 1800mm Bar Frames

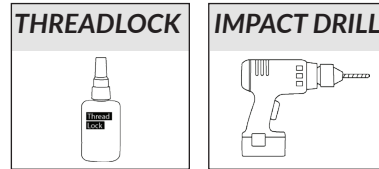


scan me

PARTS:



TOOLS (NOT INCLUDED):



We strongly recommend applying thread lock to the full length of all screws and using an impact drill. Scan the QR code with a phone or tablet to access the assembly video.

WARNING:

Always take care with an impact drill gun.

INSTRUCTIONS:

